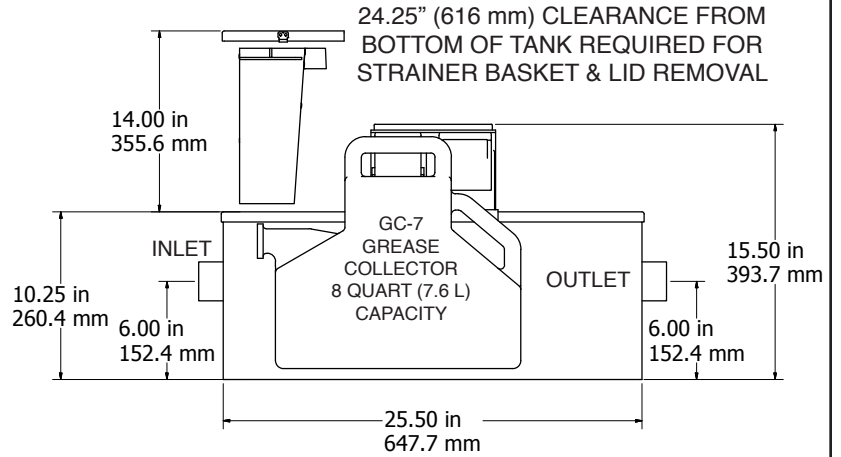


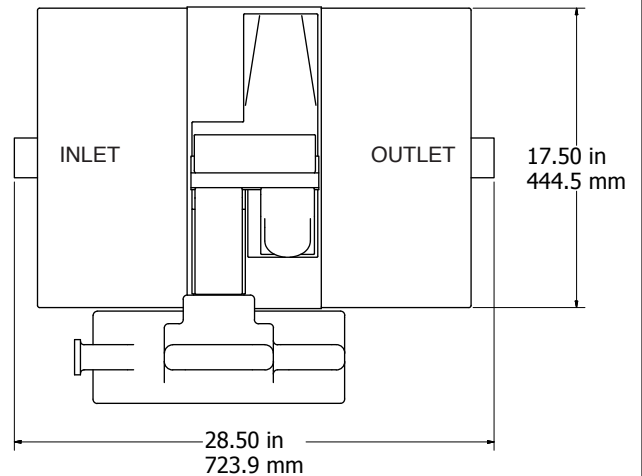
END VIEW



SIDE VIEW

FEATURES:

- Fully automatic self cleaning cycle. Removes collected grease & oils from tank without any operator assistance. Comes complete with Digital Control and Grease Collector.
- Constructed of corrosion resistant materials suitable for installation in virtually any location. Attractive sanitary Stainless Steel exterior.
- Integrated Motor/Grease Outlet/Heater/Lid enables a fast, do-it-yourself unit operation reversal.
- Compact footprint.
- Two (2) No-Hub Connectors provided.



TOP VIEW

TECHNICAL DATA

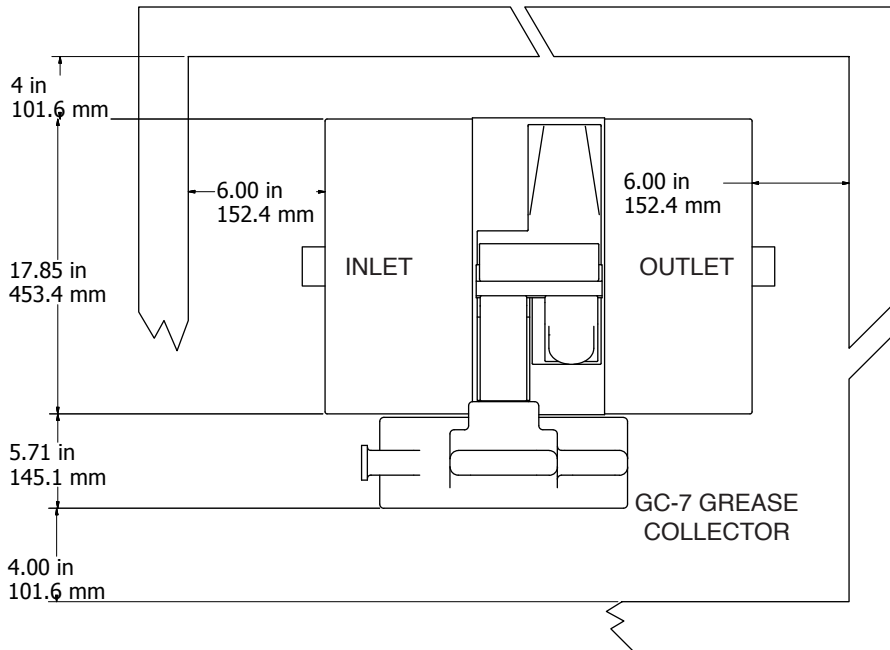
Materials: _____	Exterior: 304 Stainless Steel, Bright Finish
	Interior: Rotationally Molded Polyethylene
Electrical: _____	115 VAC, 50/60 Hz, 520 Watts (4.5 Amps)*
Maximum Inlet Flow Rate: _____	20 GPM (1.26 l/s)
Number of Skimming Wheels: _____	1
Skimming Rate: _____	20 Pounds (9.08 Kg) Per Hour
Grease Retention Capacity: _____	40+ Pounds (18.14 Kg)
Internal Solids Strainer Capacity: _____	1.85 Gallons (7 Liters)

*For Additional Electrical Configurations, see Electrical Variations section on page 2.



INSTALLATION INFORMATION

Suggested Minimum Footprint Dimensions



Requirements

Allow a minimum of 14" (356 mm) clearance from top of tank for removal of unit lid.

READ instruction manual included with system before doing anything.

Install unit allowing for the minimum clearances shown.

Make sure the height above the Internal Strainer Access Cover is enough to remove the strainer.

Make piping connections with rubber "No Hub" connectors (provided).

Keep outlet piping as straight as possible. Use only "sweep" connections.

Install vent on outlet piping.

Fill the tank with water before energizing the power to the motor and heater.

Set Digital Controller for proper operating times.

Do Not Install "P" trap on outlet connection of tank. (Note: the unit already has an internal gas trap).

Do Not Reduce pipe size on outlet piping.

Job Specification:

Grease and oils separator(s) shall be Thermaco **Big Dipper** automatic grease/oil recovery system(s) as manufactured by Thermaco, Inc., Asheboro, North Carolina as noted on plans.

NOTE: Drawing for reference only. Equipment must be installed in compliance with all applicable laws, regulations and codes, including plumbing codes. Installation should be performed by a qualified plumber.

Separator Specifications:

Furnish and install ___ Thermaco **Big Dipper** Model No. W-200-IS, bright finish type 304 stainless steel exterior, rotationally molded polyethylene interior automatic self-cleaning grease and oil recovery separator(s) for floor mounted or partially recessed installation, rated at 20 gallons per minute (1.26 liters per second) peak flow, 40 pounds (18.14 Kg) of grease capacity and including as an integral part of the unit, 1 rotating gear hydrophobic wheel assembly for automatic grease/oil removal, an integral flow control device, self-regulating enclosed electric immersion heater, a vessel vent, an integral gas trap, a digital control for programmable operation, a field reversible motor location, a field reversible grease/oil sump outlet, quick release stainless steel lid clamps, a gasketed and fully removable 304 stainless steel lid, a lift-out strainer basket access, an internal stainless steel strainer basket for collection of coarse solids, and a separate grease and oils collection container. Electric assembly shall be tested to comply with pertinent sections of the Standards for Safety ANSI/UL 73 and/or ANSI/UL 1004. Electric motor equipped with overload protection. Two (2) no-hub connectors for plumbing connection provided.

Electrical Variations:

W-200-IS:	115V 50/60Hz, 520 Watts (4.5 Amps)
W-200-IS-E:	230V 50/60Hz, 520 Watts (2.3 Amps)
W-200-IS-2360:	230V 50/60Hz, 520 Watts (2.3 Amps)